

INSTALLATION AND OPERATING INSTRUCTION FOR JOTUL BOXSTOVE NO.606A

This installation and operating instruction is divided in 5 parts:

1. GENERAL INFORMATION
2. HAZARDS CONNECTED TO THE USE OF CLOSED FIREPLACES
3. INSTALLATION
4. OPERATION OF THE STOVE
5. SWEEPING AND MAINTENANCE

1. GENERAL INFORMATION

- 1.1. Jøtul's boxstove 606A is a cast iron stove, designed for use of wood as fuel. Logs up to a length of appr.40cm (16" can be utilized, and it can be filled with appr.6,5 kgs. (15 lb) of wood.
- 1.2. Jøtul's woodstove 606A has front combustion, i.e. the wood is ignited in front and burns slowly towards the rear, thus avoiding that all the wood will burn at the same time. The wood will burn longer and the stove will radiate an even heat.
- 1.3. When installing, operating and maintaining this stove, please follow the guide-lines given in these instructions. Save these instructions and keep them so that they are always available for everybody using the stove.

2. HAZARDS CONNECTED TO THE USE OF CLOSED FIREPLACES

- 2.1. Any use of fire, also in connection with closed fireplaces, represent a certain danger.
- 2.2. With intense firing, the temperature of the cast iron can exceed 500°C (900°F). The following factors must always be considered.
  - a. The stove should not be mounted in parts of the room where there is a lot of traffic.
  - b. Loose inflammable material must be kept in a safe distance from the stove, i.e. minimum 90 cm (36").
  - c. Children must be taught that the stove is hot and must not be touched.
  - d. Clothes must not be dried over the stove. The can fall down and be ignited.

f. The stove must be used and maintained in accordance with these instructions.

- 2.3 Never use the stove if there are combustible gases in the room..
- 2.4 Poisonous gases can come out into the room if for example the ventilation system creates a low pressure in the room where the stove is places.
- 2.5 Make sure that sparks and embers don't get out of the stove when the door is opened.
- 2.6 Be aware that even if the ashes look cold, there might still be some burning embers left. Avoid placing the ashes close to combustible materials before you are positive that all burning embers are out.
- 2.7 Do not use the stove with an open door. The stove can then be overheated.
- 2.8 The stove, chimney connector and chimney must be inspected and cleaned frequently, i.e. at least once a year.
- 2.9 Creosote - formation and need for removal

When wood is burned slowly, it produces acetic and pyroligneous acids, which combine with expelled moisture to form creosote. The creosote vapors condense in the relatively cool chimney flue of a slow-burning fire. As a result, creosote residue accumulates on the flue lining. When ignited this creosote makes an extremely hot fire.

The chimney connector and chimney should be inspected frequently during the heating season to determine if a creosote buildup has occurred.

If creosote has accumulated it should be removed to reduce the risk of a chimney fire. Experienced chimney servicing personnel should be consulted.

- 2.10 Utilize wood as only fuel, and never liquid fuels. Liquid fuel utilized in a stove for solid fuel can result in an explosion and fire.

Never use gasoline, gasoline-type lantern fuel, kerosene, charcoal lighter fluid, or similar liquids to start or "freshen up" a fire in this heater. Keep all such liquids well away from the heater while it is in use.

Never use or store flammable liquids, especially gasoline, in the vicinity of the stove.

- 2.11 Andirons may be used with this unit to support the logs when building a fire. If charcoal is burned, a basket grate may be placed on the hearth to hold it.

### 3. INSTALLATION

Please follow these installation instructions carefully. Check and execute each step before you proceed.

#### 3.1. Check the local rules

All installation of Jotul's boxstove 606A must be according to the local regulations. If nothing else is stated, the stove should be installed according to the guide-lines given by the National Fire Protection Association in NFPA No.89M, Heat producing appliance clearances 1976, and NFPA No.211, Chimneys, Fireplaces and Vents 1972.

For further information on using your heater safely, obtain a copy of the National Fire Protection Association publication "USING COAL AND WOOD STOVES SAFELY", NFPA No.HS-8-19. The address of the NFPA is:  
470 Atlantic Avenue, Boston, MA 02210.

#### 3.2. Inspect your chimney

The stove can be connected to masonry chimneys for residential type appliances, or an approved metal chimney for residential type appliances. Single wall metal chimneys shall not be used inside 1- and 2-family dwellings.

The inside dimension of a square masonry chimney should be minimum 6 by 6 inch. For a circular approved insulated chimney a diameter of 7 inch. is recommended. The minimum height of the chimney should be 10 feet.

#### 3.3. Determine where you want to install the stove.

The stove can be installed in different ways, but the installation must be in accordance with the UL-listing.

##### 3.3.1 Installation with the smoke outlet at the back.

If the installation is made as in figure 3.3.1, the distance from the stove and the chimney connection to bombustible materials must be:

$$\begin{aligned} x &= \text{minimum } 575\text{mm} \left( 22\frac{1}{2} \text{ in} \right) \\ y &= \text{minimum } 385\text{mm} \left( 15 \text{ " } \right) \\ A &= \text{minimum } 830\text{mm} \left( 32\frac{1}{2} \text{ " } \right) \end{aligned}$$

If the installation is made as in figure 3.3.2, the distance from the stove and the chimney connection to combustibile materials must be:

$$\begin{aligned} x &= \text{minimum } 575\text{mm} \left( 22\frac{1}{2} \text{ in} \right) \\ y &= \text{minimum } 385\text{mm} \left( 15 \text{ " } \right) \\ z &= \text{minimum } 460\text{mm} \left( 18 \text{ " } \right) \\ A &= \text{minimum } 830\text{mm} \left( 32\frac{1}{2} \text{ " } \right) \end{aligned}$$

##### 3.3.2 Installation with the smoke outlet at the side.

If the installation is made as in figure 3.3.3, the distance from the stove and the chimney connection to combustibile materials must be:

x = minimum .575m. (22½ in.)  
y = minimum .635m. (25 " )  
A = minimum .830m. (32½ " )

If the installation is made as in figure 3.3.4, the distance from the stove and the chimney connection to combustible materials must be:

x = minimum .575m. (22½ in.)  
y = minimum .635m. (25 " )  
z = minimum .460m. (18 " )  
A = minimum .830m. (32½ " )

#### 3.4. Make a hearth extension

The stove shall be placed on a hearth extension not less than 3/8 inches thick of asbestos millboard or equivalent,

The hearth extension shall extend at least 16 inches in front and at least 8 inches to each side of and beyond the back of the boxstove.

If the floor projection of the chimney connector is extending beyond the sides of the boxstove, the hearth extension should be expanded in that direction in its full width to cover the floor at least 2 in. beyond the projected area.

If possible, the hearth extension should cover the floor in this direction just up to the wall.

The hearth extension may be placed on the sub or finish flooring, whether the flooring is combustible or not.

The hearth extension shall be readily distinguishable from the surrounding floor.

#### 3.5. Assemble the stove

Put the four legs on with screws and washers which are delivered with the stove. There is one leg in each corner of the stove.

Put the baffelplate and burnplates in position. Screw on the knob to the door.

Place your stove on the hearth extension according to the distances given in the previous sections.

Place the hearth extension shield between the legs of the stove with the painted side visible.

#### 3.6. Install the chimney connector

With the stove in place you can now determine the path of the chimney connector. The connector shall be used to connect the stove to the chimney. The connector shall be made of noncombustible corrosion resistant material, such as steel or refractory masonry. If a steel connector is to be used, it should be 24 gauge or thicker. A connector shall be as short and straight as possible.

At every joint, use sheet metal screws to get a good joint. Some cement can be used to seal each joint.

A 6" chimney connector should be used. The stove is delivered with a 5" - 6" adapter which may be attached to the smoke outlet of the stove.

The 5" - 6" adapter is secured to the smoke outlet by a 6mm screw which is delivered with the stove.

A connector to a masonry chimney shall extend through the wall to the inner face or liner, but not beyond, and shall be firmly cemented to masonry. A thimble may be used to facilitate removal of the chimney connector for cleaning, in which case the thimble shall be permanently cemented in place with high-temperature cement.

A chimney connector shall not pass through any floor or ceiling, nor through a fire wall or fire partition.

### 3.7. Before building a fire

With the chimney connector properly secured to the smoke outlet, your JDTUL STOVE NO. 606A is ready for use. Please read the following section carefully upon using the stove.

## 4. OPERATION OF THE STOVE

### 4.1. Use always wood as fuel. The wood should be air-dried for at least 4 - 6 months.

Kindle some sticks at the front of the stove, then put in some full-length logs. At the beginning see that the draught is sufficient, and then regulate it down towards the combustion desired.

The fire will now slowly spread inwards. When the wood has turned to glowing, the air intake should be reduced. The wood then burns rather like coke or charcoal.

In place of constant rekindling, the stove should be kept continuously burning day and night on even, rough logs. When the wood has burnt almost completely and only the necessary glows remain for continued burning, these are poked to the front using the poker. The stove is then refilled. The draught is increased, and then regulated down to the combustion desired.

### 4.2. During the first few times you use a new stove, the stove may become somewhat damp. In order to prevent this condensate from running down the face of the stove, open the door slightly during the first firing. As soon as the stove is warm, this condensate will evaporate and the door may be closed.

## 5. SWEEPING AND MAINTENANCE

### 5.1. When wood burns, soot and creosote may develop and could, together with other incombustible particles, settle in the chimney and the chimney connectors. If this deposit

increases, it will be necessary to have it removed. This ought to be done by sweeping the chimney and chimney connector regularly. How often, depends on the use of the stove. As a rule, the chimney and the chimney connector should be swept at least once a year.

If the chimney and the chimney connector is not swept regularly, a chimney fire may develop. A chimney which is built according to the regulations, or one which has prior approval, will withstand a chimney fire. However, if a fire should erupt, the chimney should be inspected by professionals before it is taken into use again.

5.2. The stove may burn "continuously" (day and night), even on small loads. Should pitch develop during such continuous burning, the stove should be fired intensely with regular intervals. This repeated a few days in succession will burn away possible pitch.

5.3. To give the maximum amount of heat, the stove and the chimney connector should be swept regularly. Fig. 5.4.1 illustrates how the stove should be swept. By removing the top lid sweeping can easily be carried out everywhere in the stove.

When sweeping the chimney connector it may be convenient to disconnect the stove. The chimney connector must be cleaned in its full length to assure a safe removal of all creosote which have condensed on the inner surfaces.

After sweeping it is important to assure that the baffle and the burnplates are replaced as in figure 5.3.1. The burnplate increases the temperature during combustion and protects the side plates. The baffle guides the hot gases in such a way that maximum heat dissipation is attained. A bottle of black Senotherm is enclosed for unenamelled stoves. It may be used for patching up possible scratches in the varnish.

Be sure to install the chimney connector properly after sweeping and secure it with the screw.

#### 5.4 Disposal of ashes

Ashes should be placed in a metal container with a tight fitting lid. The closed container of ashes should be placed on a noncombustible floor or on the ground, well away from all combustible materials, pending final disposal. If the ashes are disposed of by burial in soil or otherwise locally dispersed, they should be retained in the closed container until all cinders have thoroughly cooled.

## 5.5 Maintenance

We recommend that you inspect your heater whenever sweeping is performed. Check all visible surfaces for cracks. Inspect the joints for visible leaks and check the gasket in the door and on the top lid. Loose gaskets may be fixed by applying some water glass in the slot.

If a mechanical failure is disclosed, please contact your local dealer.

A/S JØTUL, OSLO, NORWAY

Imported by

Jøtul USA, Inc.  
P.O. Box 1157  
400 Riverside St.  
Portland, ME 04104  
(207) 707-8812

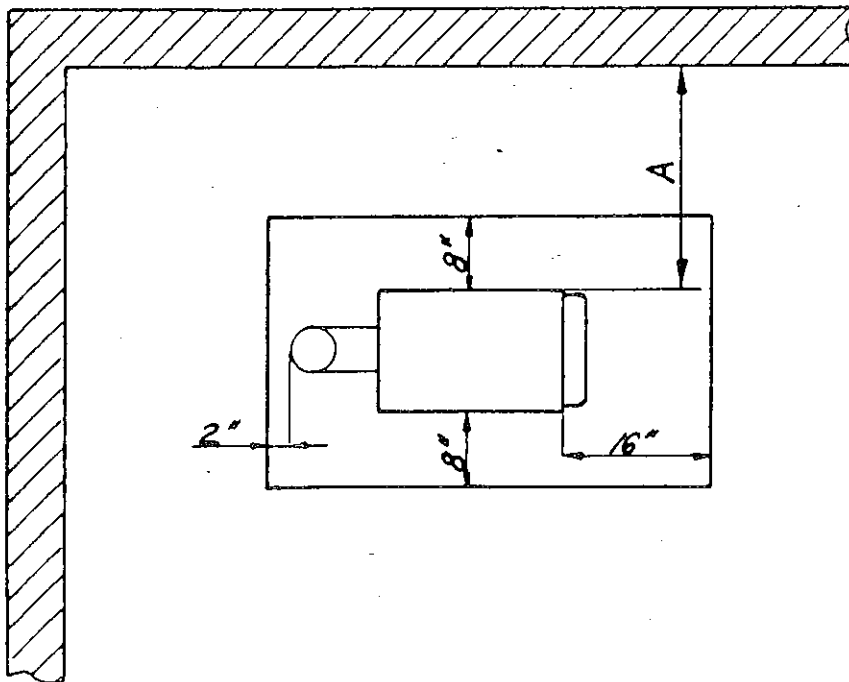
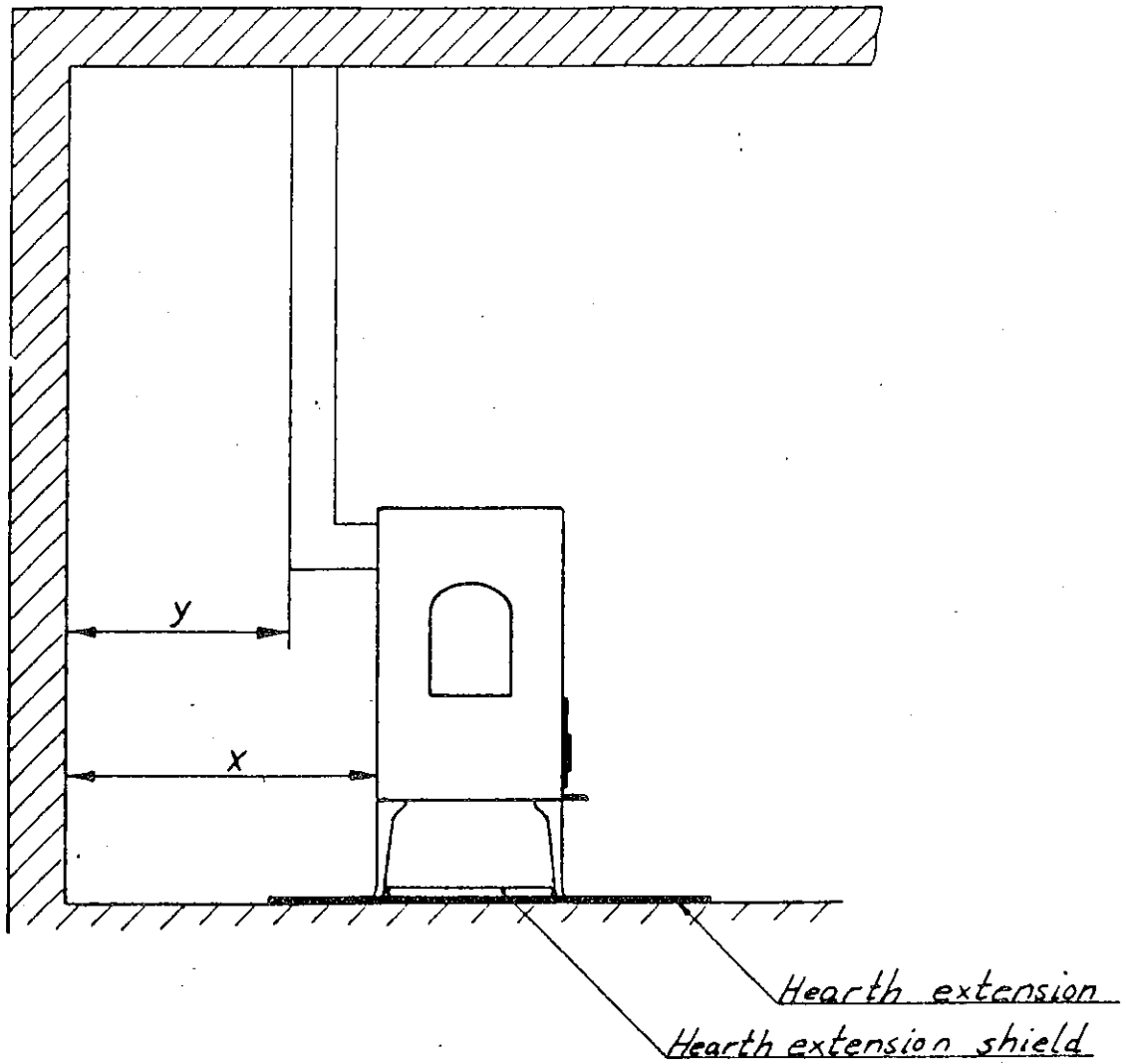


Fig. 3-3-1



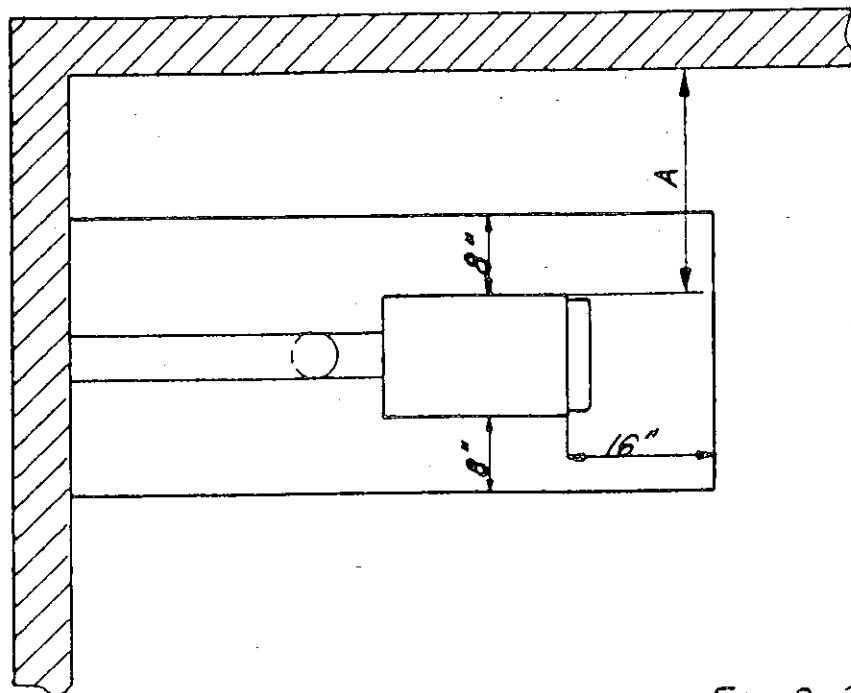
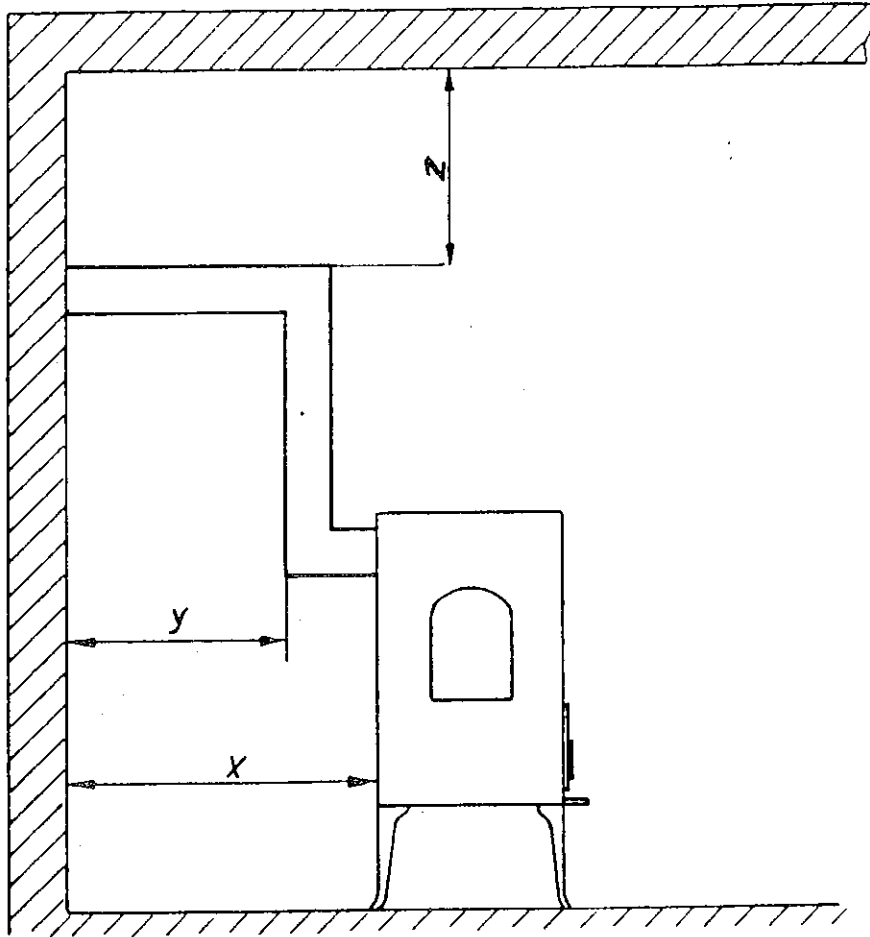


Fig. 3-3-2

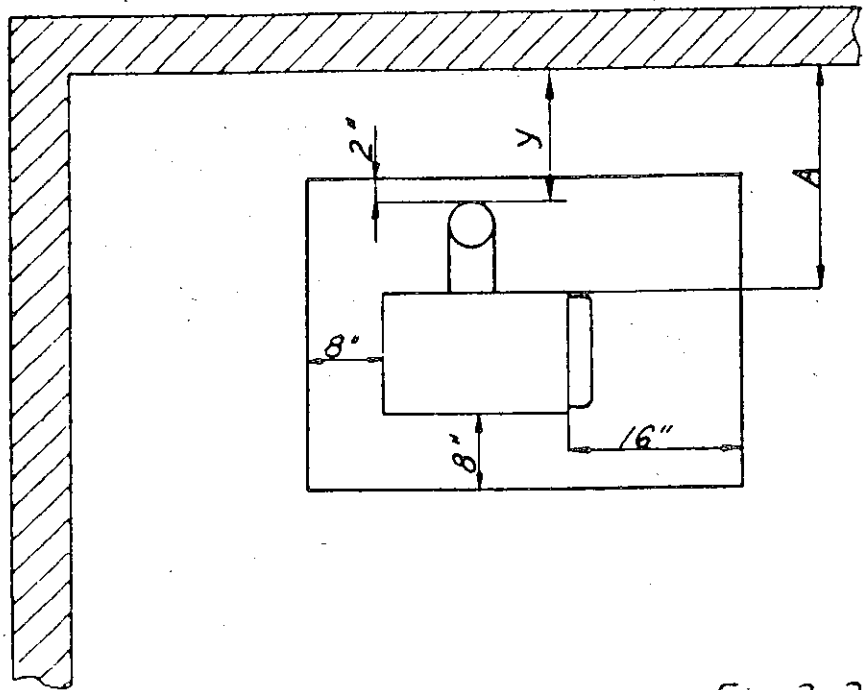
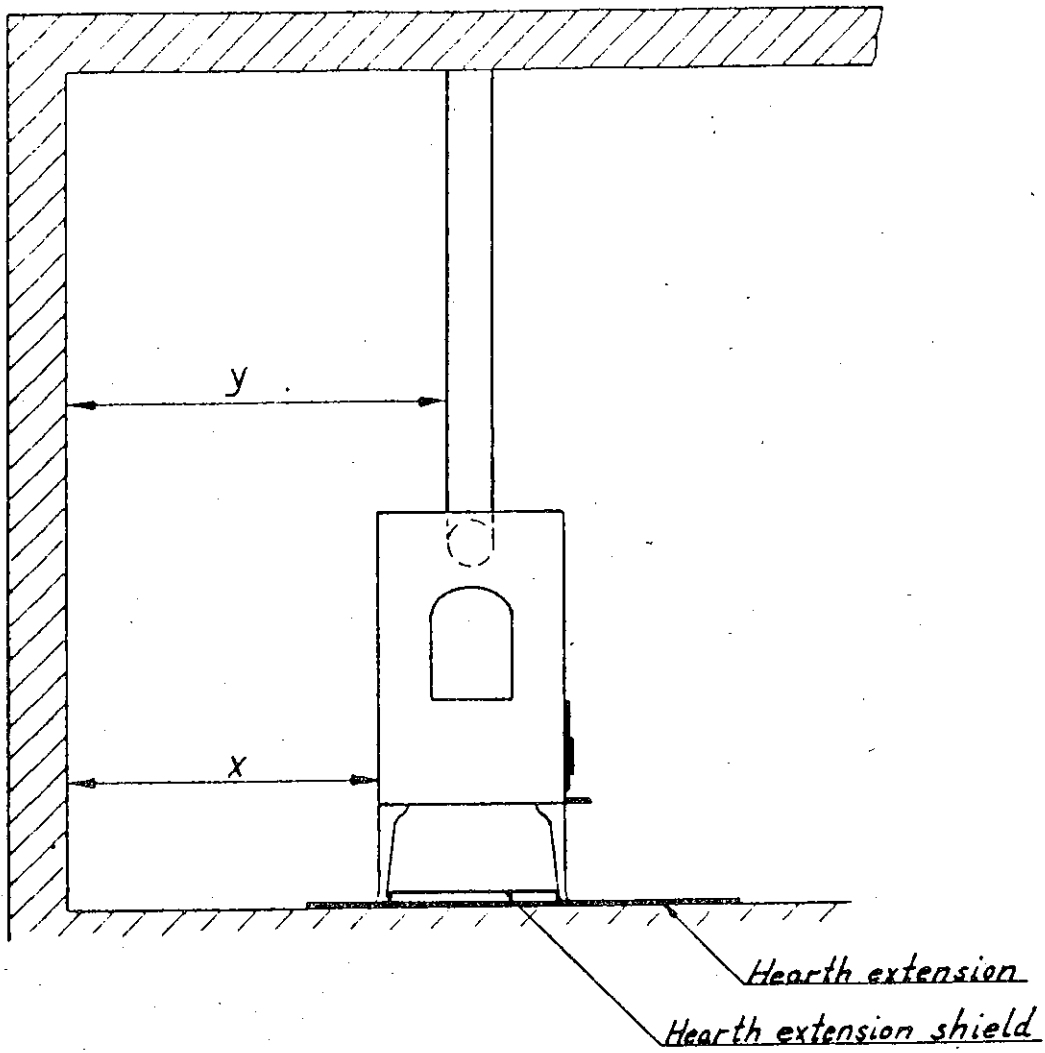


Fig. 3-3-3

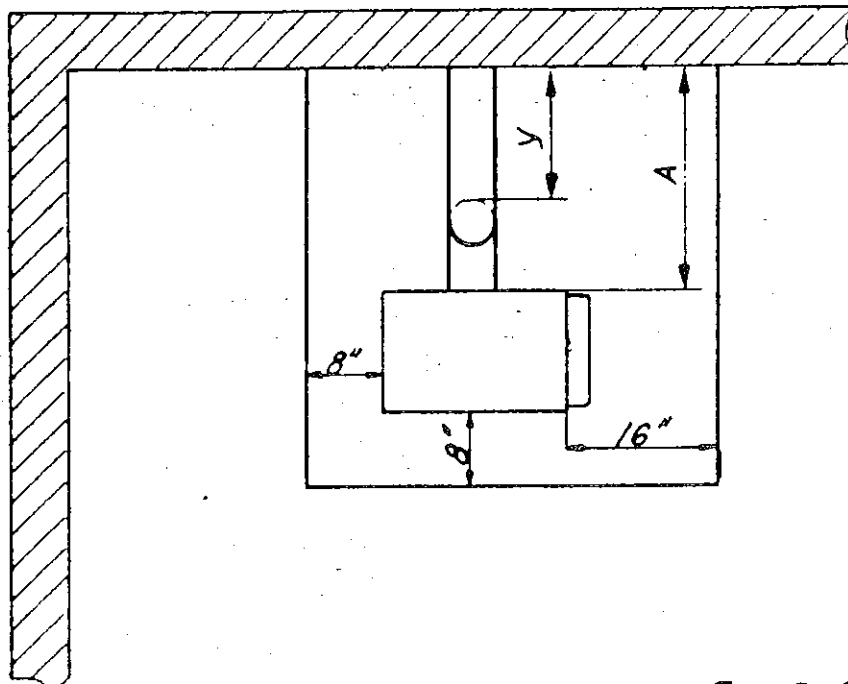
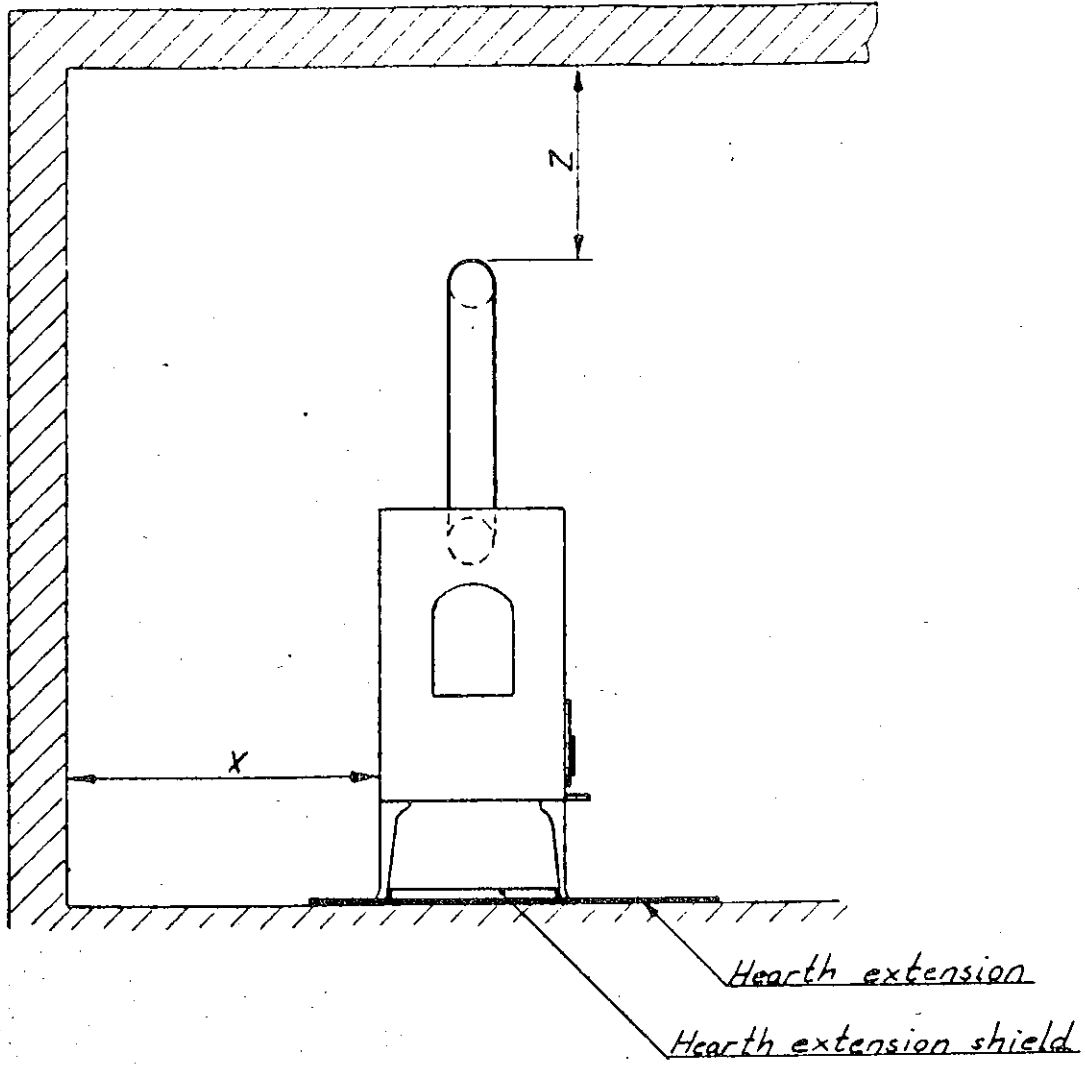
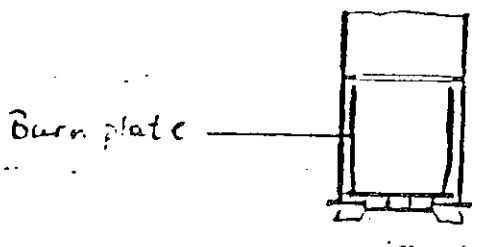
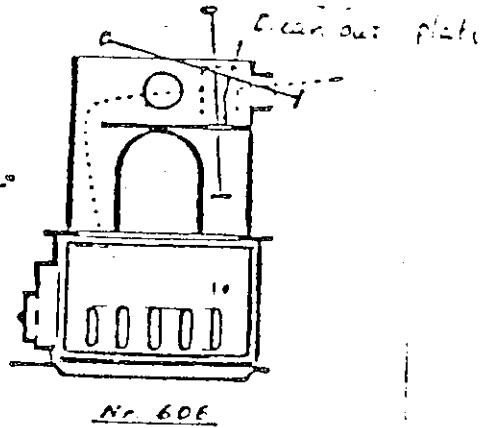


Fig. 3-3-4



Figur 5.3.1.

Næstvede Verksleders Landsforening gjør oppmerksom  
 på at tekniske tegninger, beskrivelser, modeller, spesi-  
 fikasjoner o. l. tilhører det konstruerende firma og derfor  
 overhødet ikke kan benyttes uten skriftlig samtykke fra  
 dette firma. Dette gjelder både ved i utgangspunktet bruk og for  
 eller erstattingsansvar uten hensyn til skyld  
 eller erstattingsansvar

1	101357	Front panel
2	101358	Back panel
3	101359	Side panel
4	101360	Base plate
5	101361	Arch sidepanel
6	101362	Arch base panel
7	100817	4 legs ea.
8	101363	Arch top panel
9	101364	Baffle (throat) plate
10	101199	Door
11	100336	Door baffle
12	100608	Air control
13	101365	Flue outlet spigot
14	101366	Blanking plate
15	101367	Topplate
16	101368	Burnplate
17	101369	Cleaning eye frame
18	101370	Cleaning eye
19	120013	Door catch
20	101085	Latch
21	120015	Plastic knob
22	150488	Door complete
23	150807	Front panel complete

A	Alumina Silicate rope 3/8" x 1480 mm
B	4 Pcs. Hex Head Machine Screw M6x20
B1	2 Pcs. Hex Head Machine Screw M6x20
C	4 Pcs. Flat Washer
C1	2 Pcs. Flat Washer
D	1 Pc. Flat Head Bolt M8x35
E	1 Pc. Hexagonal Nut M8
F	Alumina Silicate rope 1/4" x 822 mm
G	Alumina Silicate rope 1/8" x 405 mm
H	4 Pcs. Fillister Head Machin Screw M6x25

**a JØTUL**

Mars 18.1981

PARTS LIST

Box Stove No. 606

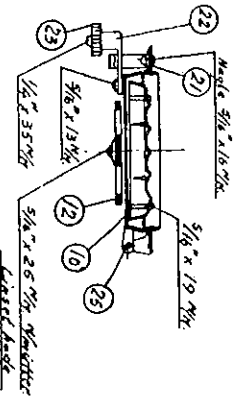
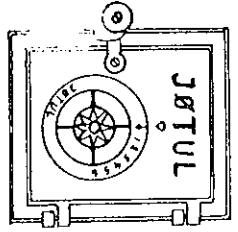
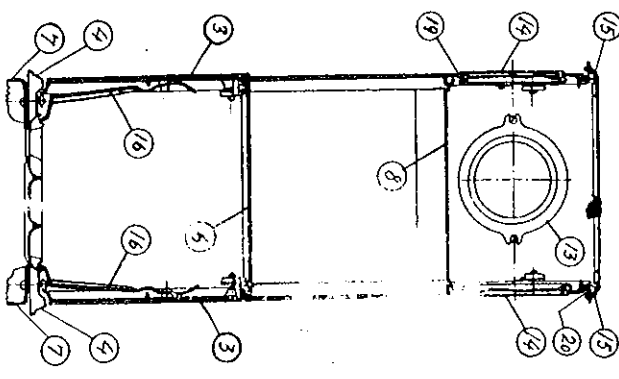
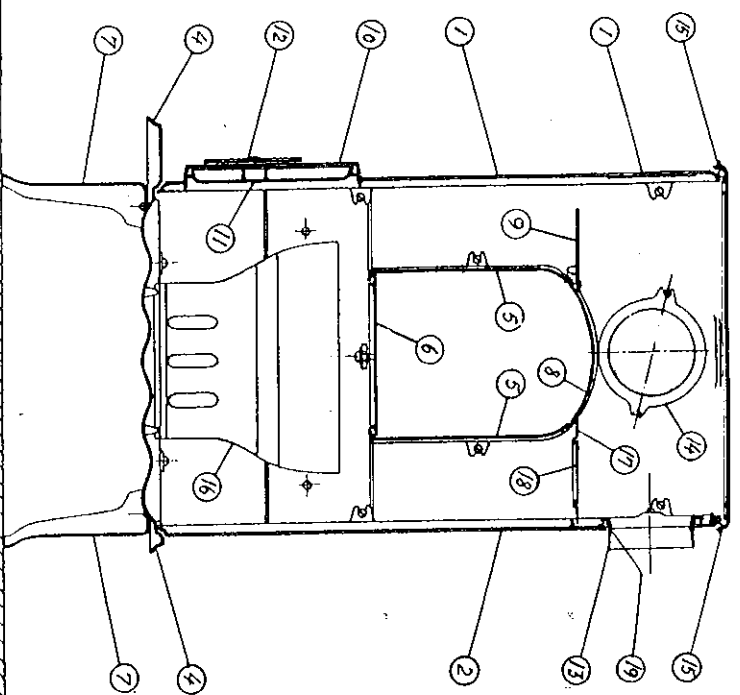
**a JØTUL**

Mars 18.1981

SCREW, WASHER,  
BASKET LIST

Box Stove No. 606

OVNSDELENES - NR - BENEVNELSE



NR	BENEVNELSE	NR	BENEVNELSE
1	BEN	1	FORSTYKKE
2	BRÅSTYKKE	10	DØR
3	SIDESTYKKE		
4	BUNNPLATE		
5	SIDEHVELV		
6	BUNNPLATE 1 ETØSJE	12	SEKTORVENTIL
7	BEN		
8	OVERHVELV		
9	KARNPLATE	21	LÅSHAKE
10	RAKTUT	22	DØRLINKE
11	VARREPLATE	23	BRÅHELITKNAPP
12	BRENNPLATE	24	DØRLINKE OG KNAPP
13	FEIESPJELD	25	DUBB
14	ROHVULLDEKSEL		
15	TOPPLATE		
16	KARM FOR FEIESPJELD		
17	RSBESTSNOR		
18	RSBESTSNOR		
19	RSBESTSNOR		
20	RSBESTSNOR		
21	RSBESTSNOR		
22	RSBESTSNOR		
23	RSBESTSNOR		
24	RSBESTSNOR		
25	RSBESTSNOR		
26	RSBESTSNOR		
27	RSBESTSNOR		

NR	BENEVNELSE	NR	BENEVNELSE
1	BEN	1	FORSTYKKE
2	BRÅSTYKKE	10	DØR
3	SIDESTYKKE		
4	BUNNPLATE		
5	SIDEHVELV		
6	BUNNPLATE 1 ETØSJE	12	SEKTORVENTIL
7	BEN		
8	OVERHVELV		
9	KARNPLATE	21	LÅSHAKE
10	RAKTUT	22	DØRLINKE
11	VARREPLATE	23	BRÅHELITKNAPP
12	BRENNPLATE	24	DØRLINKE OG KNAPP
13	FEIESPJELD	25	DUBB
14	ROHVULLDEKSEL		
15	TOPPLATE		
16	KARM FOR FEIESPJELD		
17	RSBESTSNOR		
18	RSBESTSNOR		
19	RSBESTSNOR		
20	RSBESTSNOR		
21	RSBESTSNOR		
22	RSBESTSNOR		
23	RSBESTSNOR		
24	RSBESTSNOR		
25	RSBESTSNOR		
26	RSBESTSNOR		
27	RSBESTSNOR		

NR	BENEVNELSE	NR	BENEVNELSE
26	SOTRAKKE	21	FESTE FOR- OG BRÅSTYKKE TIL SIDESTYKKE
27	RINGLØFTER	22	FESTE SIDEHVELV TIL SIDESTYKKE
		23	FESTE BUNNPLATE TIL SIDESTYKKE
		24	FESTE OVERHVELV TIL SIDESTYKKE
		25	FESTE KARNPLATE TIL SIDESTYKKE
		26	FESTE VARREPLATE TIL SIDESTYKKE
		27	FESTE BRENNPLATE TIL SIDESTYKKE
		28	FESTE FEIESPJELD TIL SIDESTYKKE
		29	FESTE ROHVULLDEKSEL TIL SIDESTYKKE
		30	FESTE TOPPLATE TIL SIDESTYKKE
		31	FESTE KARM FOR FEIESPJELD TIL SIDESTYKKE
		32	FESTE RSBESTSNOR TIL SIDESTYKKE
		33	FESTE RSBESTSNOR TIL SIDESTYKKE
		34	FESTE RSBESTSNOR TIL SIDESTYKKE
		35	FESTE RSBESTSNOR TIL SIDESTYKKE
		36	FESTE RSBESTSNOR TIL SIDESTYKKE
		37	FESTE RSBESTSNOR TIL SIDESTYKKE
		38	FESTE RSBESTSNOR TIL SIDESTYKKE
		39	FESTE RSBESTSNOR TIL SIDESTYKKE
		40	FESTE RSBESTSNOR TIL SIDESTYKKE
		41	FESTE RSBESTSNOR TIL SIDESTYKKE
		42	FESTE RSBESTSNOR TIL SIDESTYKKE
		43	FESTE RSBESTSNOR TIL SIDESTYKKE
		44	FESTE RSBESTSNOR TIL SIDESTYKKE
		45	FESTE RSBESTSNOR TIL SIDESTYKKE
		46	FESTE RSBESTSNOR TIL SIDESTYKKE
		47	FESTE RSBESTSNOR TIL SIDESTYKKE
		48	FESTE RSBESTSNOR TIL SIDESTYKKE
		49	FESTE RSBESTSNOR TIL SIDESTYKKE
		50	FESTE RSBESTSNOR TIL SIDESTYKKE

AKSJESELSKAPET **Götul** 9-9-1953.  
 Rønningens.  
 VEDOVN  
 NR 606.

DELELISTE

