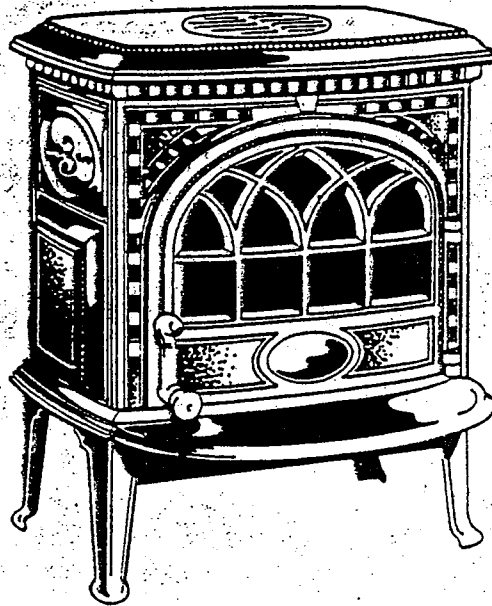


JØTUL



#3 Classic Gas Heater Unvented Room Heater Installation and Operation Instructions

WARNING: If the information in this manual is not followed exactly, a fire or explosion may result causing property damage, personal injury or loss of life.

Do not store or use gasoline or other flammable vapors and liquids in the vicinity of this or any other appliance.

WHAT TO DO IF YOU SMELL GAS

- Do not try to light any appliance.
- Do not touch any electrical switch; do not use any phone in your building.
- Immediately call your gas supplier from a neighbor's phone. Follow the gas supplier's instructions.
- If you cannot reach your gas supplier, call the fire department.

Installation and service must be performed by a qualified installer, service agency or the gas supplier.



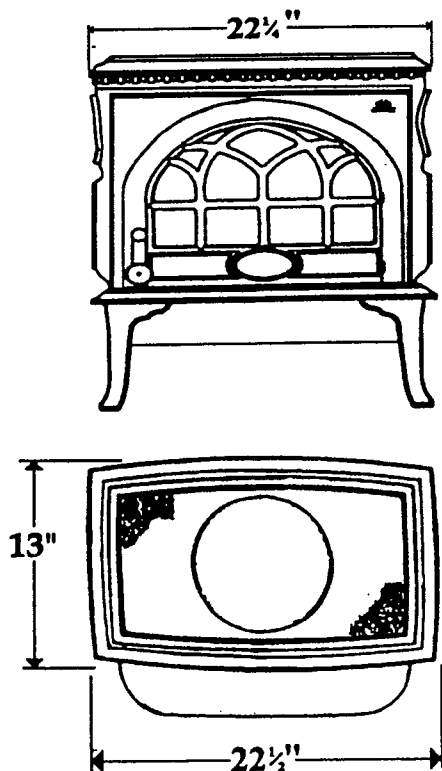
Manufactured and Distributed by Jøtul USA
Installer-Please leave this manual with user of stove.



Table of Contents

1. SAFETY INFORMATION	Page 3
2. GENERAL INFORMATION	Page 4
3. INSTALLATION	Pages 4-6
4. GAS LINE CONNECTION	Pages 6-7
5. ARRANGEMENT OF LOGS IN THE FUEL BED COMPARTMENT	Page 8
6. LIGHTING, START-UP & OPERATING INSTRUCTIONS	Pages 9-10
7. CHECKING FLAME APPEARANCE	Pages 10-11
8. CLEANING AND SERVICING	Page 11
SPARE PARTS LIST -	Pages.12-15..
BACK COVER - SERVICE RECORD	

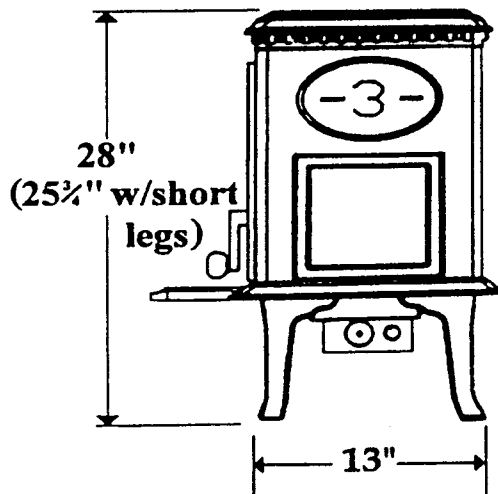
Dimensional Diagrams of Stove:



Specifications-

Gas Type-	Natural or LPG
Maximum Input-	20,000 Btu/hr
Minimum Input-	15,000 Btu/hr
Manifold Pressure-	
Natural Gas	3.0" W.C.
LPG	10.0" W.C.
Inlet Pressure (for purpose of input adjustment)	
Natural Gas: Maximum	10.5" W.C.
Minimum	5.0" W.C.
LPG Maximum	13.0" W.C.
Minimum	11.0" W.C."
Thermostat Temperature Range-	55 to 119 F
Thermostat Sensor Position -	Behind Front Right Leg
Inlet Connection-	3/8" NPT Elbow at Rear of Stove
Weight-	185 lbs.
Note: For LPG installations, an external regulator is required to reduce supply pressure 13" W.C.	

The Rating Plate and Lighting Instructions are located on a tray underneath the Control Valve. This can be accessed by pulling the tray out to the right hand side of the heater.



1. Safety Information

DUE TO HIGH TEMPERATURES, THIS APPLIANCE SHOULD BE LOCATED OUT OF TRAFFIC AND AWAY FROM FURNITURE AND DRAPERIES.

INSTALLER: Please leave these instructions with the owner.

OWNER: Please retain these instructions for future reference.

IMPORTANT: Read these instructions carefully before installing or trying to operate this unvented gas heater.

WARNING

Any modification to this unvented gas heater or its controls can be dangerous. Improper installation or use of the heater can cause serious injury or death from fire, burns, explosion or carbon monoxide poisoning.

1. CARBON MONOXIDE POISONING: Early signs of carbon monoxide poisoning are similar to the flu with headaches, dizziness and/or nausea. If you have these signs, obtain fresh air immediately. Have the heater serviced as it may not be operating properly.

2. The installation must conform with local codes, in the absence of local codes, with the National Fuel Gas Code, ANSI Z223.1

3. The Jøtul #3 Classic Vent Free Heater **MUST NOT** be installed in a bedroom.

4. Do not install this heater in a bathroom.

5. Installation and repair should be done only by a qualified service technician.

6. To prevent malfunction and/or sooting, an unvented gas heater should be cleaned at least annually by a qualified service technician. More frequent cleaning may be required due to excessive lint from carpeting, etc. It is imperative that control compartments, burners and circulating air passageways be kept clean.

7. Correct placement of ceramic fiber logs is necessary to avoid problems with sooting. Sooting can settle on surfaces outside the heater and cause discoloration. See the appropriate sections of this manual for instructions on log placement.

8. Place heater in location away from strong drafts. Do not allow fans to blow directly into heater. Do not place a blower inside firebox of heater. Be careful to avoid drafts from ceiling fans near heater. Drafts and fan activity may alter flame patterns, possibly causing sooting and improper burning.

9. This is an unvented gas-fired heater. It uses air (oxygen) from the room in which it is installed. Provisions for adequate combustion and ventilation air must be provided. Refer to installation guidelines.

10. Children and adults should be alerted to the hazard of high surface temperatures and should stay away from heater to avoid burns or the ignition of clothing.

11. Young children should be carefully supervised when they are in the same room with the heater.

12. Do not place clothing or other flammable material on or near the heater when the heater is in use.

13. Keep area where heater is located clear and free from combustible materials, gasoline and other flammable vapors and liquids.

14. Any safety screen or guard removed for servicing, must be replaced prior to operating the heater.

15. This unvented gas heater is intended to be smokeless. If logs appear to smoke, turn off the heater and call a qualified service technician. **PLEASE NOTE:** Initial burn off of heater may cause slight smoke and odor during the first four hours of operation.

16. Input ratings are shown in BTU per hour and are for elevations up to 2,000 feet. For elevations above 2,000 feet, input ratings should be reduced 4 percent for each 1,000 feet above sea level. Refer to the National Fuel Gas Code for additional information.

17. The heater and its individual shutoff valve must be disconnected from the gas supply piping system during any pressure testing of that system at test pressures in excess of 1/2 psig (3.5 kPa).

18. The heater must be isolated from the gas supply piping system by closing its individual manual shutoff valve during any pressure testing of the gas supply piping system at test pressures equal to or less than 1/2 psig (3.5 kPa).

19. Do not use this room heater if any part has been under water. Immediately call a qualified service technician to inspect the room heater and to replace any part of the control system and any gas control which has been under water.

WARNING: Any Change to this heater or its controls can be dangerous!

2. General Information

Jøtul is the world's largest manufacturer of solid fuel burning appliances and has been making cast iron wood and coal stoves since 1853. Your new Jøtul Unvented Room Heater has inherited the benefits learned from more than 140 years of producing stoves. With proper care and operation, your new Jøtul will last many, many years.

The Owner's Manual describes the installation procedures and operation instructions of the Jøtul #3 "Classic" Unvented Gas heater. This Heater is manufactured in compliance with the American National Standard for Gas Fired Room Unvented Room Heaters (ANSI Z21.11.2b-1995), having been tested for compliance by the American Gas Association.

When installing, operating and maintaining your Jøtul Gas Heater, follow the guidelines given in these instructions. Save this Manual, and make it available to anyone using or servicing the heater.

A number of areas in the U.S. require a building permit to install an unvented gas heater, such as your Jøtul Gas Heater. The National Fuel Gas Code, ANSI Z223.1 or similar local regulations may apply to the installation of an unvented room heater in your area. Your dealer has been specially selected to carry Jøtul stoves for his or her knowledge of your local codes, and can provide assistance in making sure your installation is safe and legal. You can also contact your insurance representative or building or fire officials to determine what regulations apply in your area.

3. Installation

The Jøtul #3 "Classic" Unvented Room Heater must be installed in conformance with local codes, or in the absence of local codes, with the current edition of the National Fuel Gas Code, ANSI Z 223.1 or NFP A54.

Items Required for Installation

- * External regulator (for LPG/Propane Gas models only)
- * Piping which complies with local codes
- * Pipe sealant approved for use with LPG/Propane Gas models (resistant to sulfur compounds)
- * Manual shutoff valve
- * Sediment trap
- * Tee joint

WARNING

Keep Rear Burner air intake holes clean and free of dirt and debris.

Failure to do so may cause excessive sooting of stove and poor combustion.

THIS APPLIANCE MAY BE INSTALLED IN AN AFTER-MARKET* MANUFACTURED (MOBILE) HOME, WHERE NOT PROHIBITED BY STATE OR LOCAL CODES

*Aftermarket: Completion of sale, not for purpose or resale, from the manufacturer.

THIS APPLIANCE IS ONLY FOR USE WITH THE TYPE OF GAS INDICATED ON THE RATING PLATE. THIS APPLIANCE IS NOT CONVERTIBLE FOR USE WITH OTHER GASES.

WARNING

Do not install this heater:

- *Where curtains, furniture, clothing, or other flammable objects are less than 42" from the front of the heater.
- *In high traffic areas.
- *In windy or drafty areas.

Providing for Adequate Air for Combustion and Ventilation

Adequate air for combustion and ventilation must be provided for the proper operation of this room heater. This heater should not be installed in a confined space unless provisions are provided for adequate combustion and ventilation air.

The National Fuel Gas Code defines a confined space as a space whose volume is less than 50 cubic feet per 1,000 BTU per hour of the combined input rating of all appliances installed in that space. An unconfined space is defined as a space whose volume is not less than 50 cubic feet per 1,000 BTU per hour of the combined input rating of all appliances installed in that space. Rooms adjoining directly with the space in which appliances are installed, through openings not furnished with doors, are considered a part of the unconfined space.

For the Jøtul 3 Classic Unvented Room Heater, the minimum volume of a room that the stove can be placed in is 1,000 cubic feet.

The following formula can be used to determine the maximum heater ratings permitted in an unconfined space:

$$\text{BTU/HR} = \frac{\text{Length} \times \text{Width} \times \text{Height} \times 1000}{50}$$

Where length, width and height are measured in feet, and the product of the three dimensions equals the cubic volume of the room.

As an example, using the above formula, the minimum cubic volume of a room to be considered unconfined with regard to the Jøtul 3 Classic Unvented Room Heater would be a room with the following dimensions:

$$\begin{aligned} \text{Length: } 12.5' \quad \text{Width: } 10' \quad \text{Height: } 8' \\ 20,000 \text{ BTU/HR} = \frac{12.5' \times 10' \times 8' \times 1000}{50} \end{aligned}$$

$$20,000 \text{ BTU/HR} = 20,000$$

Any room, or series of adjoining rooms not furnished with doors, that have a total cubic volume greater than 1,000 cubic feet would be considered an unconfined space, and thus adequate for location of the Jøtul #3 Classic Unvented Room Heater.

WARNING

If the area in which the heater may be operated is smaller than that defined as unconfined space, provide adequate combustion and ventilation air by one of the methods described in the National Fuel Gas Code, ANSI Z223.1, 1992, Section 5.3.

Minimum clearances to Combustible Materials

The Jøtul #3 Classic Gas Room Heater must be installed with the following minimum clearances to combustible material observed:

Right Side	3 inches
Left Side	3 inches
Rear	3 inches
Overhang Clearance	12 inches
Ceiling	36 inches
Front	36 inches

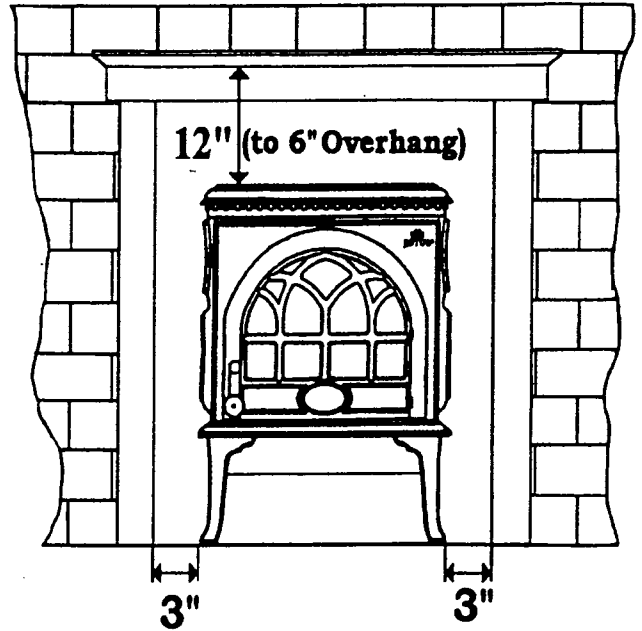


Figure 3.2

THIS HEATER MUST NOT BE INSTALLED DIRECTLY ON CARPET, NON-CERAMIC TILE OR OTHER COMBUSTIBLE MATERIAL, WITH THE EXCEPTION OF WOOD. IF IT IS DESIRED TO INSTALL THIS HEATER ON A CARPETED OR NON-CERAMIC TILED FLOOR, A METAL OR WOOD PANEL MUST BE PLACED UNDER THE HEATER THAT EXTENDS THE FULL WIDTH AND DEPTH OF THE HEATER.

Completing the Installation

WARNING

The cast iron Top Plate of your Jøtul #3 Classic Gas Room Heater is not fastened to the frame of the stove. The weight of the Top Plate, will, however, keep it securely in place during operation of the stove. **UNDER NO CIRCUMSTANCES SHOULD YOU OPERATE THE STOVE WITH THE TOP PLATE REMOVED.**

Your Jøtul 3 Classic Gas Room Heater requires some minor assembly before you can operate the stove.

When you receive your heater you should find the following components in the carton strapped to the wooden pallet:

- * Cast Iron Log Retainer
- * Cast Iron Ash Lip
- * Black metal Decorative Control Cover
- * Plastic Bag containing:
 - Wooden door handle knob
 - Long securing screw for knob
 - Cylindrical steel spacer
 - Fiber washer

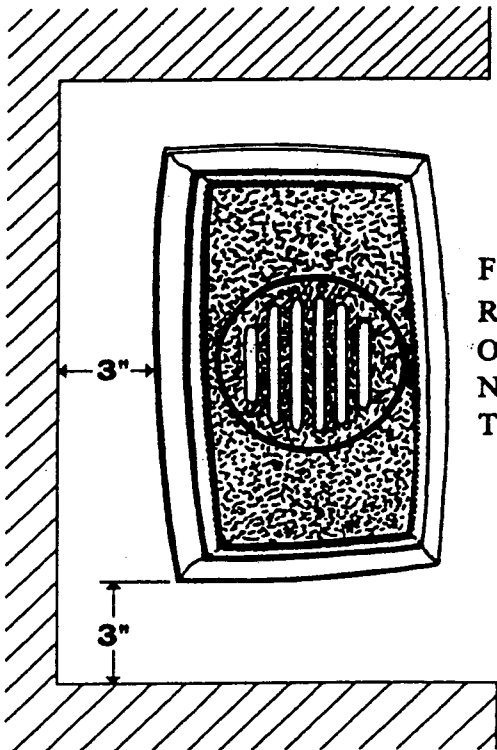


Figure 3.1

Place the decorative Log Retainer in position in front of the logs, ensuring that the hooks slide down the two slots at the sides of the door opening. Make sure that the Retainer sits correctly behind the two lugs (See Figure 3.3)

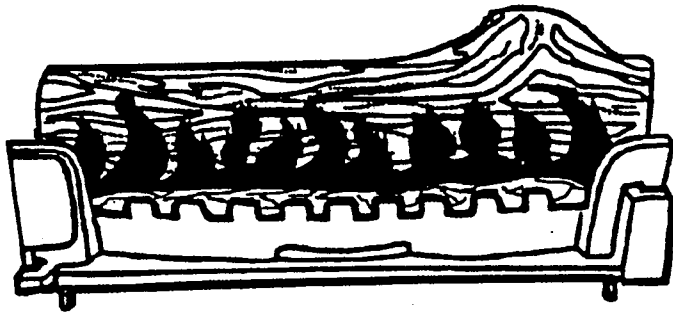


Figure 3.3

Remove the plastic bag from the carton supplied with the heater. Place the steel spacer between the handle and door, and insert the long screw through the wooden knob, spacer and fiber washer. Locate the screw through the hole in the handle on the door and tighten into the threaded hole on the door body. This will insure that the door is not accidentally opened during operation of the heater (see Figure 3.4).

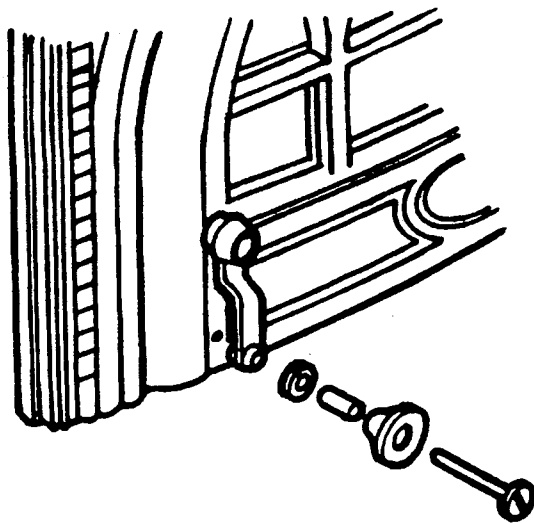


Figure 3.4

Remove the Ashlip Plate and decorative Control Cover from the carton. Attach these to the front of the heater using the bolt which is already located in the threaded hole beneath the door. Insure that the decorative cover sits behind the front legs (See Figure 3.5).

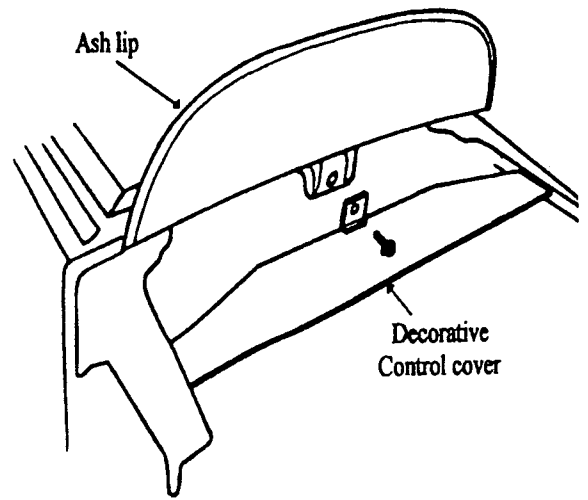


Figure 3.5

4. Gas Connection

PLEASE NOTE: Prior to connecting your Jøtul #3 Gas Room Heater to a gas supply line you should first check with your local gas company to determine who is authorized to make such connections. Also, always consult your local gas company to insure that the gas supply conforms with any applicable local codes.

CHECK GAS TYPE: The gas supply must be the same as stated on the stove's rating plate. If the gas supply is different, **DO NOT INSTALL** the heater. Contact your dealer for the correct model.

WARNING

Connecting directly to a Propane/LPG tank without the use of a regulator can cause an explosion!

When installing the Jøtul #3 "Classic" Gas Room Heater, use new black iron or steel pipe. Internally tinned copper or copper tubing can be used per National Fuel Gas Code, section 2.6.3, providing gas meets hydrogen sulfides limits, and where permitted by local codes. The gas piping system must be sized to provide minimum inlet pressure (listed on Data Plate) at the maximum flow rate (BTU/Hr). Undue pressure loss will occur if the pipe is too small.

A 1/8" NPT Plugged tapping - accessible for a test gauge connection - should be incorporated on the gas supply line immediately upstream of the connection to the appliance.

The connector used to connect the supply line to the stove must be made with an approved connector.

INSTALLER - PLEASE NOTE: You must provide means of isolating the gas supplied to the heater independent of the heater's internal controls. An AGA certified manual shut-off valve should be used for this purpose, fitted to the main gas supply line as close as possible to the controls of the heater (see Figure 4.1). Also, when connecting the gas supply to the inlet elbow insure that the pipe route does not interfere with the operation of the control valve or sliding tray.

IMPORTANT NOTE: When pressure testing a gas supply line, this appliance and its individual shutoff valve **MUST** be disconnected from the gas supply piping system during any pressure testing at test pressures in excess of 1/2 psig (3.5 kPa). The appliance must be isolated from the gas supply piping system by closing its individual manual shutoff valve during any pressure testing of the gas supply piping system at test pressures equal to or less than 1/2 psig (3.5 kPa).

To assure that foreign objects do not enter the control mechanism of your Jøtul Gas Room Heater, a sediment trap must be installed as close to the inlet of the heater as practical (see Figure 4.1). The sediment trap can be a tee fitting with a capped nipple in the bottom outlet. Install this after and/or closer to the controls of the heater than the manual shut-off valve.

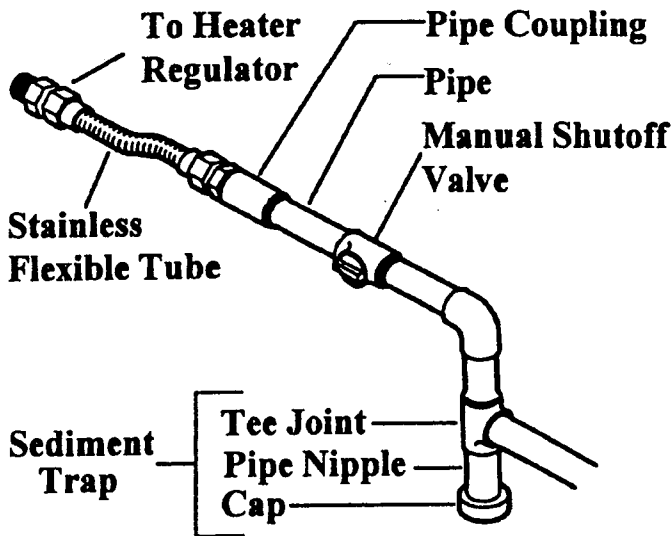


Figure 4.1

Gas Pressure Check and Leak test

WARNING

The installation of your gas heater and all tests performed on the stove should only be carried out by a qualified gas service technician.

The pressure regulator of your Jøtul #3 Gas Room Heater is preset and locked at the factory to avoid tampering. The correct pressure settings are detailed on Page 2 under "Specifications". If the pressure is not as specified, contact your dealer and replace the regulator.

The heater regulator controls the burner pressure which should be checked at the pressure test point on the regulator. The test point is a 1/8" NPT plug located on the side of the regulator (See Figure 4.2).

NOTE: When testing for pressure, the heater should be operating with the control set on high (HI).

After testing, the test plug must be replaced and tested for gas leaks (See Figure 4.2).

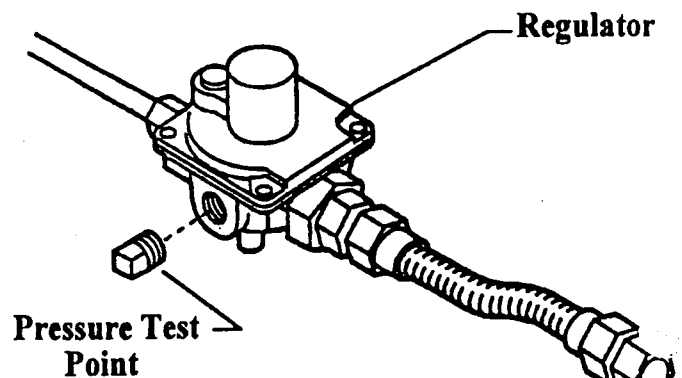


Figure 4.2

Once pressure settings are correct, turn the heater to "OFF". Turn off the gas supply and disconnect the manometer from the nipple. Tighten the screw in the nipple and replace the control valve cover.

Leak Test

Turn the gas supply on and check all the pipework connections to the heater control valve for leaks. All joints are factory tested, but it is possible that a connection may have been disturbed during transportation or installation. Use a leak detector or leak detection solution for this purpose. **NEVER USE A LIGHTER, MATCH OR OTHER NAKED FLAME FOR DETECTING LEAKS!**

5. Arrangement of Logs in the Firebox Compartment

WARNING

The positioning of the logs in this heater is critical to the safe and clean operation of the appliance. Sooting and other problems may result if the logs are not properly and firmly positioned in the heater. NEVER add additional logs or embellishment such as pine cones, vermiculite, volcanic rock or rock wool to the heater.

The heater is shipped to you with the logs mounted to the unit with retaining screws. If it is necessary to remove the logs for cleaning or servicing, the following sequence should be followed (See Figure 5.1):

NOTE: DO NOT HANDLE THESE LOGS WITH YOUR BARE HANDS! ALWAYS WEAR GLOVES TO PREVENT SKIN IRRITATION FROM THE CERAMIC FIBERS OF THE LOGS. AFTER HANDLING LOGS, WASH HANDS GENTLY WITH SOAP AND WATER TO REMOVE ANY TRACES OF FIBERS.

1. Open the door by removing the long screw used to secure the knob to the door.
2. Remove cast iron Log Retainer.
3. Remove the two screws that retain the front log and lift the log vertically off the log bracket.
4. Remove the two screws that retain the rear log and lift the log vertically off the log bracket.

To install Logs, reverse the above procedure:

1. Install the rear log in the rear log cavity. Insert the two mounting screws. DO NOT OVER TIGHTEN!
2. Position the front log into the front log cavity to center the log. Insert the two mounting screws, again being careful not to over tighten.

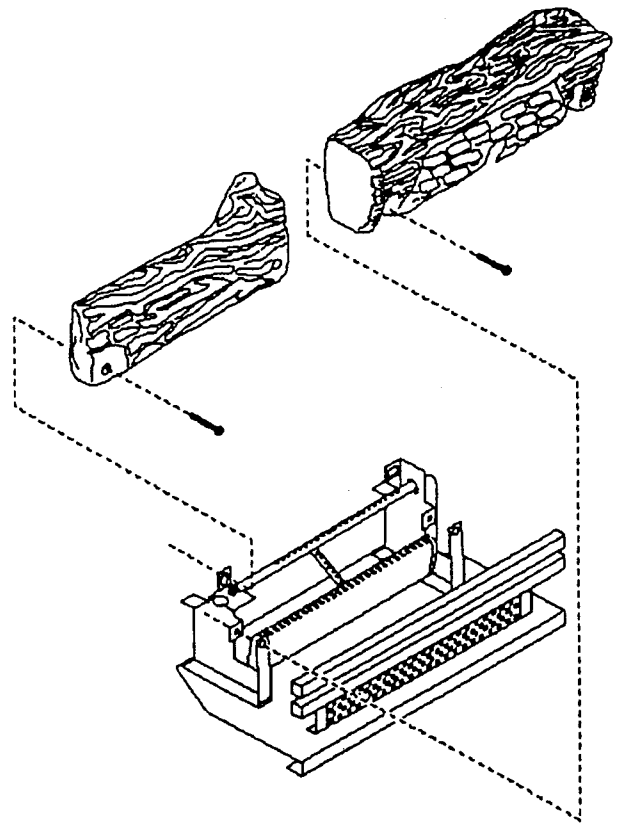


Figure 5.1

WARNING

NEVER operate the heater without the logs and log mounting screws installed and tightened, or without the stove door closed and secured.

6. Lighting, Start-up and Operating Instructions

FOR YOUR SAFETY READ BEFORE LIGHTING:

WARNING

If you do not follow these instructions exactly, a fire or explosion may result causing property damage, personal injury or loss of life.

A. This heater has an ODS (Oxygen Depletion Sensor) pilot which is ignited by a hand operated piezo. When lighting the pilot, follow these instructions. The piezo ignitor and control knob are identified in Figure 6.1.

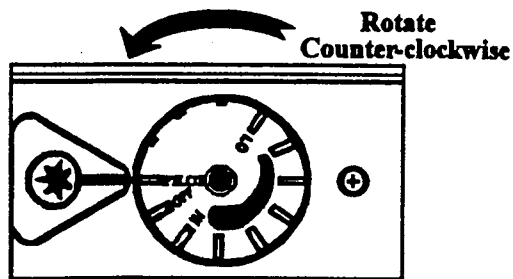


Figure 6.1

B. BEFORE LIGHTING smell all around the heater area for gas. If your stove model operates on Propane/LPG gas, be sure to smell next to the floor, as Propane/LPG gas is heavier than air and will settle on the floor.

WHAT TO DO IF YOU SMELL GAS:

- * Do not attempt to light any appliance or heater.
- * Do not touch any electric switch; do not use the phone in your building.
- * Immediately call your gas supplier from a neighbor's phone. Follow the gas supplier's instructions.
- * If you cannot reach the gas supplier, call the fire department.

C. Use only your hand to push in or turn the gas control knob. Never use tools. If the knob will not push in or turn by hand, DO NOT try to repair or adjust the valve or mechanism. Call a qualified service technician. The application of force on the control knob or attempted repair of the gas controls may result in a fire or explosion.

D. Do not use this heater if any part has been under water. Immediately call a qualified service technician to inspect the heater to replace any part of the control system or any gas control which has been under water.

LIGHTING INSTRUCTIONS

1. STOP! Read the safety information above before lighting the heater.
2. The heater is equipped with an ignition system which automatically lights the ODS pilot. DO NOT try to light the pilot by hand.
3. Refer to Figure 6.1 for the location of the piezo ignitor and control knob. Turn control knob clockwise to OFF position.
4. Wait 5 minutes to clear out any gas. If you smell gas STOP and follow instructions under "WHAT TO DO IF YOU SMELL GAS". If you do not smell gas, go on to the next step.
5. Locate the ODS Pilot. The Pilot can be found below the Front Burner.
6. Turn the control knob counterclockwise to the PILOT position (See Figure 6.1).
7. Depress knob and hold in for 5 seconds to obtain flow of gas to Pilot.

8. With the control knob pressed in and held, push in the Ignitor Button two or three times. The Ignitor will create a spark, igniting the Pilot. Once lit, continue depressing the knob for 10 seconds to allow the thermocouple to warm up. The Pilot should remain alight. If it does not, repeat steps 3 through 8.

- * If the Knob does not pop up when released, stop and immediately call your service technician or gas supplier.
 - * If the Pilot will not stay lit after several tries, turn the control knob clockwise to OFF and call your service technician or gas supplier.
9. Turn the Control Knob to any position between LO or HI. The Knob position controls the thermostat temperature.

TO TURN OFF GAS TO APPLIANCE

1. To turn the stove off, turn the Control Knob clockwise  to the OFF position.

NOTE: The Jøtul #3 Classic Heater is fitted with a thermostat that will automatically control the height of the flame and heat output to maintain the desired room temperature which you have selected when setting the Control Knob position.

7. Checking Flame Appearance

You must periodically inspect both the pilot flame and front and rear burner flames to ensure that they are burning correctly.

Pilot Flame

The pilot flame should always be present when the stove is in operation and should just touch the top of the thermocouple tip (See Figure 7.1).

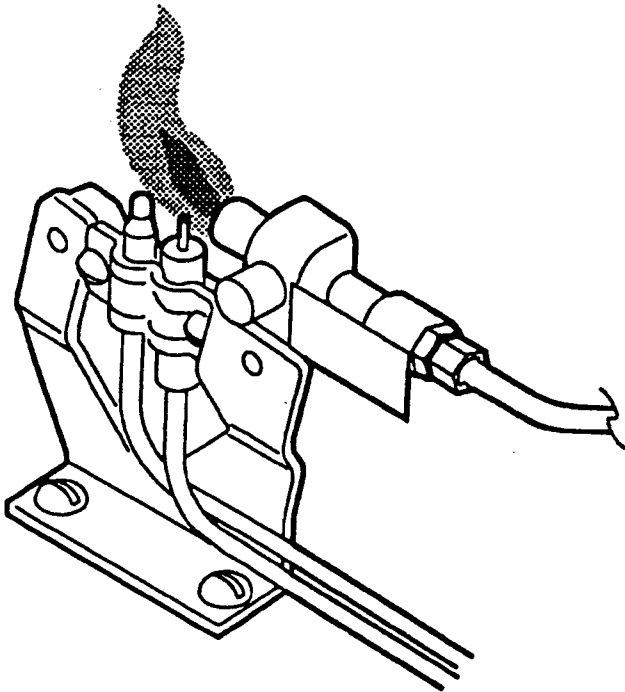


Figure 7.1 Correct Pilot Flame

If the pilot flame does not touch the thermocouple, then the main burner is unlikely to function reliably (See Figure 7.2)

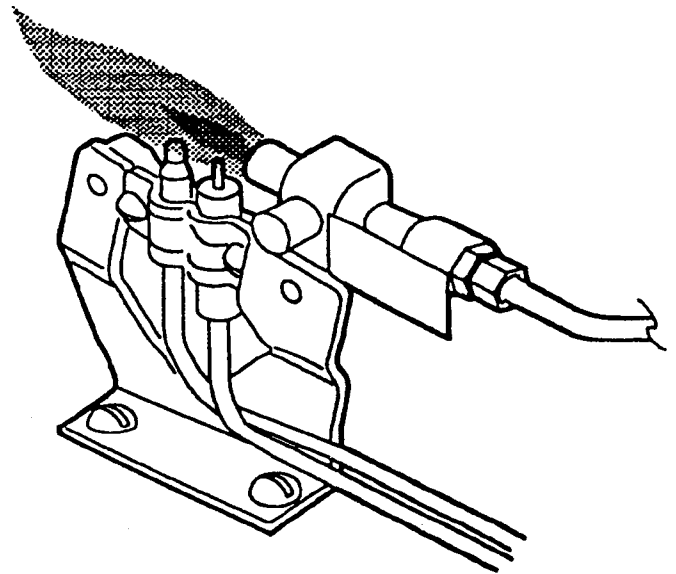


Figure 7.2 Incorrect Shape of Pilot Flame

Rear Burner Flame

The flames from the Rear Burner are above and behind Log No. 1 and in front of Log No. 2. Note that the flames may be yellow. The flames should extend about 2"-3" above Log No. 1 (See Figure 7.3).

Front Burner Flames

The Front Burner flames are blue and contact the face of the front log (See same Figure 7.3). The face of the front log will glow a bright reddish-orange during stove operation.

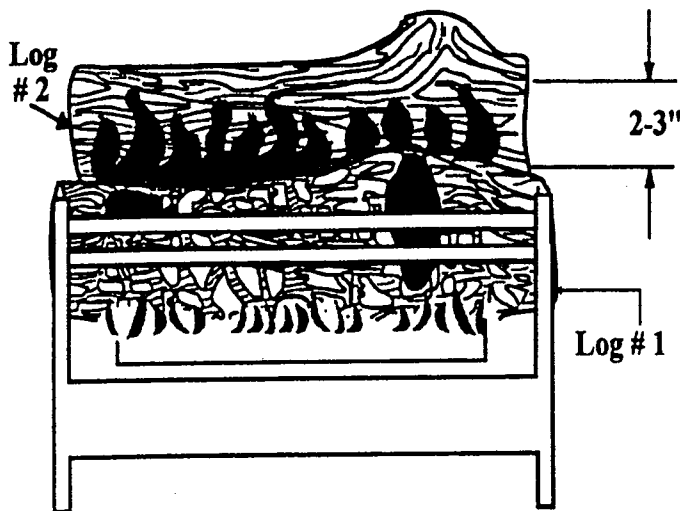


Figure 7.3

IF ANY OF THE BURNER FLAMES OR PILOT FLAMES ARE NOTICEABLY DIFFERENT FROM THE DIAGRAM, DO NOT OPERATE THE HEATER. CALL A QUALIFIED SERVICE TECHNICIAN TO CORRECT THE PROBLEM.

NEVER OPERATE THE HEATER WITH THE DOOR OPEN

8. CLEANING AND SERVICING

Your Jøtul #3 "Classic" Gas Room Heater will give you many years of trouble-free enjoyment provided the stove is maintained properly. Please note that a condition of the warranty is that the heater is serviced on an annual basis. To help you keep track of the service history of the heater please use the *Service Record* provided on the back cover of this manual.

WARNING

Keep Rear Burner air intake hole clean and free of dirt and debris.

Failure to do so may cause excessive sooting of stove and poor combustion.

Prior to each heating season a general annual maintenance should be conducted on the heater to insure optimum performance.

ALL SERVICE WORK ON THE JØTUL #3 "CLASSIC" GAS ROOM HEATER MUST BE CONDUCTED BY A QUALIFIED SERVICE TECHNICIAN. CONTACT YOUR DEALER WHEN NEEDING SERVICE OR MAINTENANCE.

Periodic Cleaning

Periodic cleaning of your Jøtul #3 Classic Room Heater should be conducted by a qualified service technician to prevent malfunction and/or sooting. When cleaning, follow these guidelines:

- * Open door by removing securing screw in knob.
- * Do not use cleaning fluid to clean logs or any part of heater.
- * To clean logs - Brush with soft bristle brush or vacuum with brush attachment.
- * Vacuum loose particles and dust from the front and rear burner, control, ignitor covers and grate weldment.
- * Inspect rear burner. Remove lint or particles with vacuum.
- * External cast iron casting should be dusted and wiped with soap and water.

Annual Cleaning & Inspection

- * Inspect and clean rear burner air intake holes.
- * Inspect and clean all burner ports.
- * Inspect ODS pilot for operation and accumulation of lint at air intake holes.
- * Verify flame pattern and log placement for proper operation.
- * Verify smooth and responsive ignition of main burner and rear burner.

WARNING

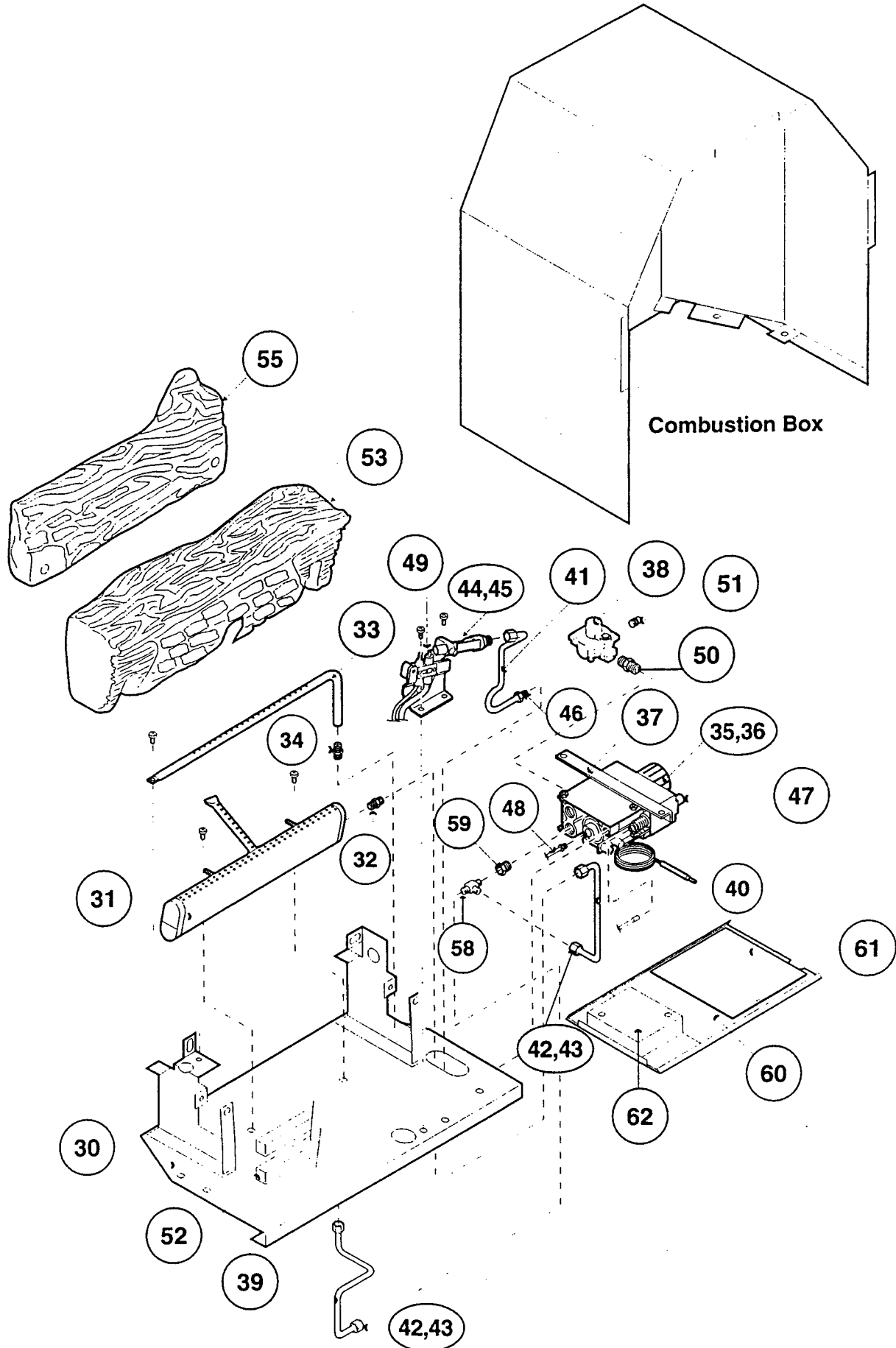
If for any reason you remove logs, handle carefully by holding at each end. Gloves should be worn to prevent skin irritation from ceramic fibers. If your skin should become irritated, wash hands gently with soap and water.

WHEN REPLACING LOGS FOLLOW DIRECTIONS CAREFULLY OUTLINED IN SECTION 5.

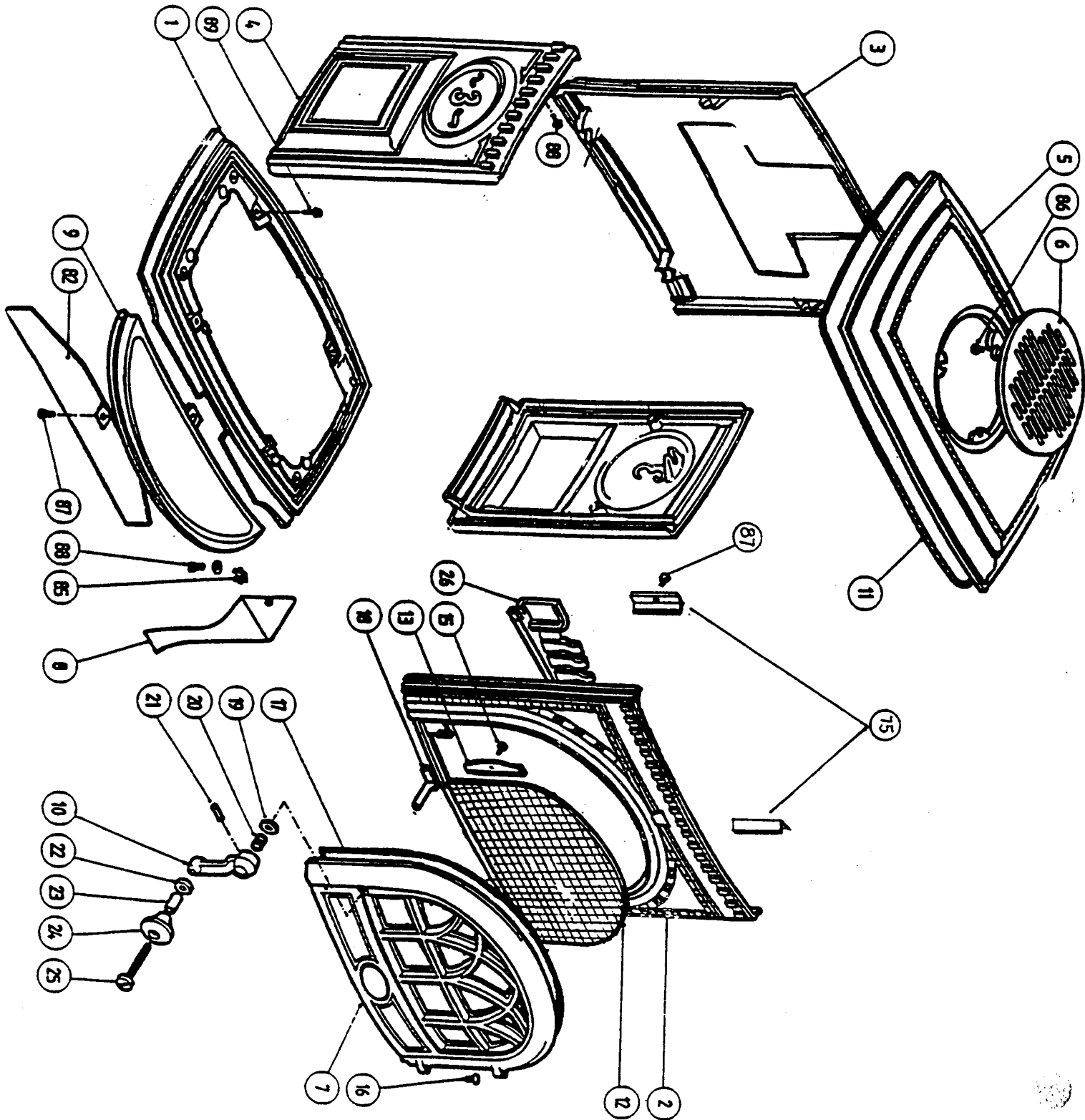
Replacement Parts

Should for any reason you require replacement parts for your Jøtul #3 Classic Gas Room Heater you may order them from Jøtul USA through your dealer. A complete parts list is included in the back of this manual.

PARTS DIAGRAM - BURNERS AND GAS CONTROLS



PARTS DIAGRAM -- CAST IRON HOUSING



JØTUL "3" CLASSIC - VENT FREE
Replacement Parts List

ITEM	PART DESCRIPTION	NATURAL GAS PART No.	PROPANE PART No.
11	Top Plate Gasket (5'6" – 3/8 LD)	04-100038	04-100038
12	Door Screen	0301200VF	0301200VF
13	Screen Clip (2)	05-126011	05-126011
15	Screen Clip Screw (6x8mm Phillips) (2)	04-9910	04-9910
16	Door Hinge Pin (2)	05-125960	05-125960
17	Door Gasket (4'8" – 1/4" HD)	04-200025	04-200025
18	Door Latch	05-126245	05-126245
20	Latch Spring	05-126164	05-126164
21	Latch Pin	05-117059	05-117059
22	Insulated Washer	05-124853	05-124853
23	Distance Spacer	05-126229	05-126229
25	Securing Screw (6 x 70mm Cheesehead)	04-99875	04-99875
26	Log Retainer	05-102459	05-102459
30	Base Plate Assembly	0303000VFN	0303000VFL
31	Front Burner	0303100VF	0303100VF
32	Front Injector	0303200VFN	0303200VFL
33	Rear Burner	0303300VF	0303300VF
34	Rear Injector	0303400VFN	0303400VFL
35	Valve Control T-Stat	0303500VF	0303500VF
36	Modulating Screw (Min Flow)	0303600VFN	0303600VFL
37	T-Stat Bracket	0303700VF	0303700VF
38	Valve Pressure Regulator	0303800VFN	0303800VFL
39	1/4" Tubing - Rear Burner	0303900VF	0303900VF
40	1/4 " Tubing - Front Burner	0304000VF	0304000VF
41	3/16" Tube - T-Stat/Pilot	0304100VF	0304100VF
42	Tube Nut .25	0304200VF	0304200VF
43	Tube Ferrule .25	0304300VF	0304300VF
44	Tube Nut .1875	0304400VF	0304400VF
45	Tube Ferrule .1875	0304500VF	0304500VF
46	Tube Reverse Flare Nut .1875	0304600VF	0304600VF
47	Piezo Kit	0304700VF	0304700VF
48	Piezo Wire	0304800VF	0304800VF
49	ODS Pilot Assembly	0304900VFN	0304900VFL
50	3/8" x 1 1/2" NPT Fitting	0305000VF	0305000VF
51	1/8" NPT Plug Pipe	0305100VF	0305100VF
52	Front Grate Assembly	0305200VF	0305200VF
53	Front Log	0305300VF	0305300VF
54	Front Log Securing Screw (2) #10	0305400VF	0305400VF
55	Rear Log	0305500VF	0305500VF
56	Rear Log Securing Bolt (2) 1/4" x 20 1" UNC	0305600VF	0305600VF
57	T-Nut (for Rear Log) 1/4" x 20	0305700VF	0305700VF
58	Male Run Tee - Brass	0305800VF	0305800VF
59	Bushing - Brass	0305900VF	0305900VF
60	Data Plate - Tray	0306000VF	0306000VF
61	Data Plate - Lid	0306100VF	0306100VF
62	Data Plate - Bracket	0306200VF	0306200VF
63	Porcelain Panel (Rear of Combustion Box) Not Pictured	0306300VF	0306300VF

ITEM	PART DESCRIPTION	NATURAL GAS PART No.	PROPANE PART No.
75	Side Clamp	0307500VF	0307500VF
82	Valance Assembly	0308200	0308200
85	Sensor Clip	0308500VF	0308500VF
86	6 x 12 Hexbolt (3)	9902	9902
87	6 x 16 Hexbolt (5)	9903	9903
88	6 x 20 Hexbolt (8)	9904	9904
89	6 x 25 Hexbolt (4)	9905	9905

Item	Enameled Parts				Description
	Matte	Blue/Black	Ivory	Green	
1	0300101	0300102	0300103	0300104	Base Plate
2	0300201	0300202	0300203	0300204	Front Plate
3	0300301	0300302	0300303	0300304	Back Plate
4	102967	102033	102246	10203232	Side Plate
5	102034	102035	102247	0300504	Top Plate
6	0300601	0300602	0300603	0300604	Top Grille
7	0300701	0300702	0300703	0300704	Door
8	102974	101966	102251	10192532	Leg
9	102975	102039	102250	10203832	Ashlip
10	102521	126243	126243	126243	Door Handle
19	117587	117548	117548	117548	Latch Washer
24	126244	126244	126230	126244	Wooden Door Knob

REPLACEMENT PARTS ARE AVAILABLE THROUGH YOUR AUTHORIZED
JØTUL DEALER